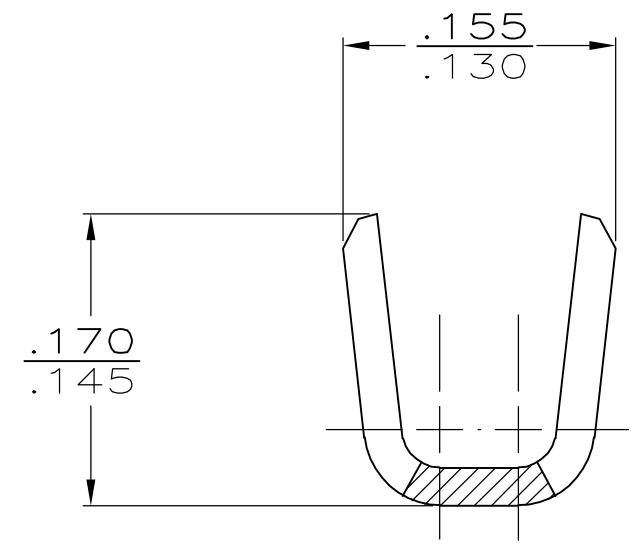
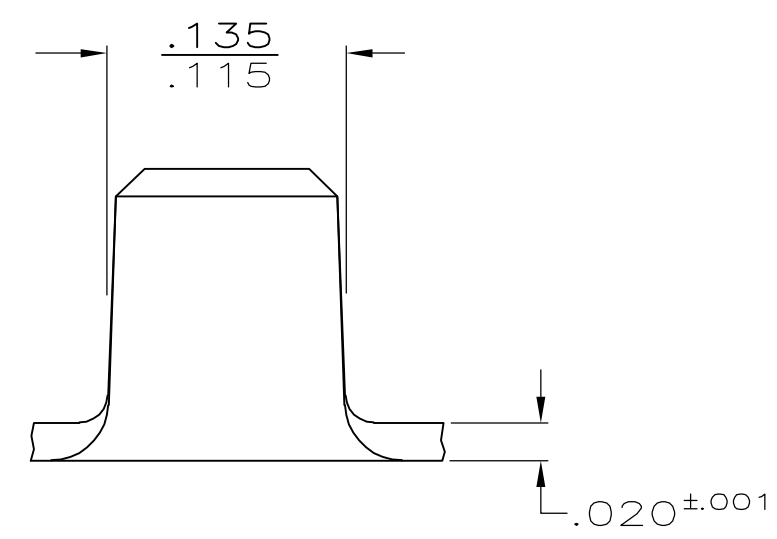
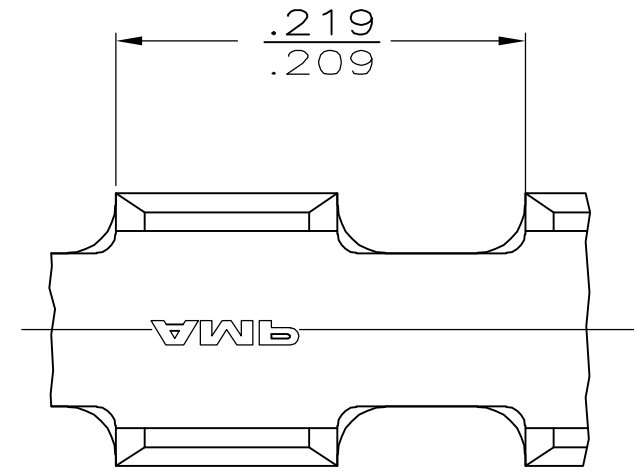


THIS DRAWING IS UNPUBLISHED. RELEASED FOR PUBLICATION
 © COPYRIGHT BY TYCO ELECTRONICS CORPORATION. ALL RIGHTS RESERVED.

LOC	DIST	REVISIONS			
P	LTR	DESCRIPTION	DATE	DWN	APVD
AF	50	K1	REVISED PER ECR-05-012571	14NOV05	MF GP

- 1 TIN PLATE .000080 MIN THICK.
- 2 WIRE RANGE FOR NEW APPLICATIONS: 2500-4700 CMA
(WIRE RANGE APPROVED FOR APPLICATIONS IMPLEMENTED PRIOR TO 2005: 2048-4217 CMA).



WIRE SIZE CMA	FINISH	MATERIAL	PART NO.
2	NONE	T2 BRASS	60932-4
1	T2 STEEL		60932-2

THIS DRAWING IS A CONTROLLED DOCUMENT.		DWN DK SCHRUM 5/18/89	Tyco Electronics Corporation Harrisburg, PA 17105-3608	
DIMENSIONS: INCHES		CHK JR RUTH 7/13/89		
TOLERANCES UNLESS OTHERWISE SPECIFIED:		APVD D SCHWENK 7/13/89	NAME SPLICE	
0 PLC ± -		PRODUCT SPEC -	-	
1 PLC ± -		APPLICATION SPEC -	-	
2 PLC ± -		WEIGHT -	SIZE A3	CAGE CODE 00779
3 PLC ± .015			DRAWING NO C-60932	RESTRICTED TO -
4 PLC ± -				
ANGLES ± -				
MATERIAL SEE TABLE	FINISH SEE TABLE	CUSTOMER DRAWING		SCALE 10:1
				SHEET 1 of 1
				REV K1